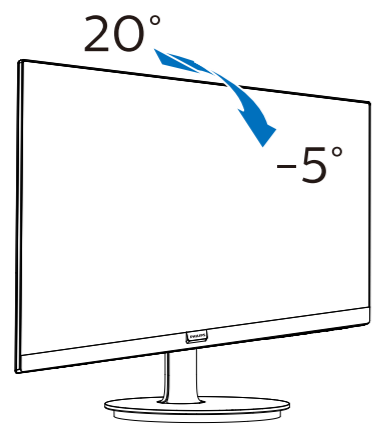


4



Register your product and get support at www.philips.com/support



FAQ



Software



User Manual

Version: M822xVQ1T
2023 © TOP Victory Investments Ltd. All rights reserved.

This product has been manufactured by and is sold under the responsibility of Top Victory Investments Ltd., and Top Victory Investments Ltd. is the warrantor in relation to this product. Philips and the Philips Shield Emblem are registered trademarks of Koninklijke Philips N.V. and are used under license.

Specifications are subject to change without notice.

HDMI

The terms HDMI, HDMI High-Definition Multimedia Interface, HDMI Trade Dress and the HDMI Logos are trademarks or registered trademarks of HDMI Licensing Administrator, Inc.

www.philips.com

Energy Labelling



Printed in China



PHILIPS

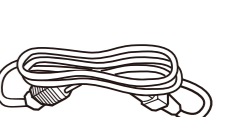
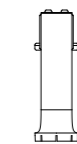
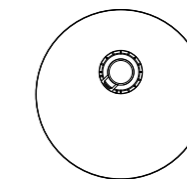
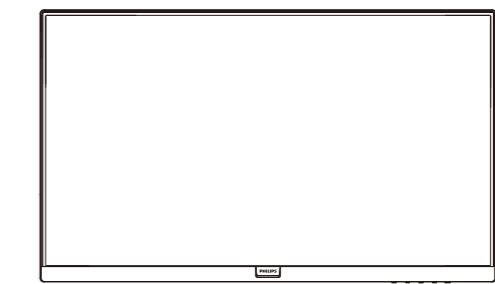
V Line/i Line

221V8/222V8/2218

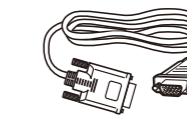


Quick Start

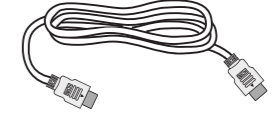
Register your product and get support at www.philips.com/welcome



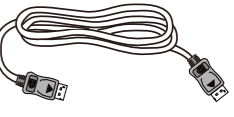
Power



* VGA



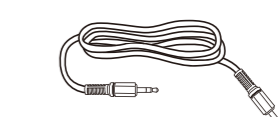
* HDMI



* DP (222V8LA)



* DVI (221V8LD)

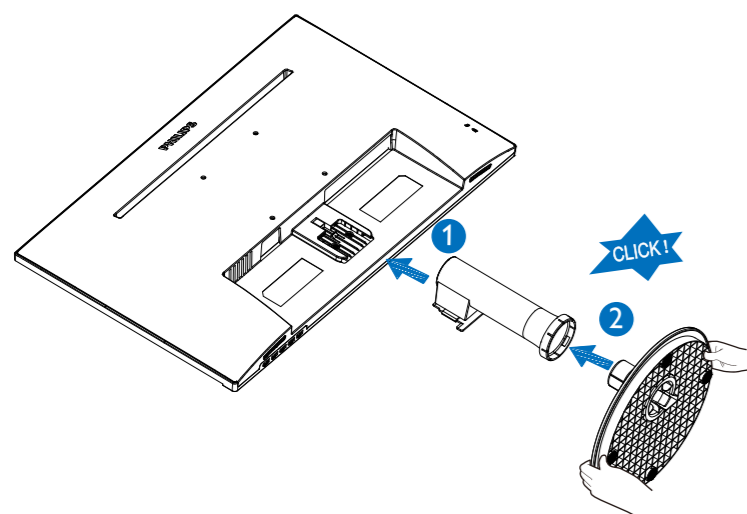


* Audio cable (221V8A/222V8LA)

*Different according to region

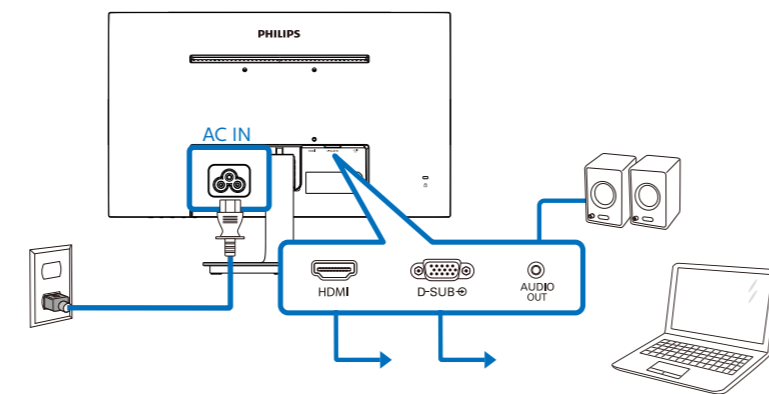
Display design may differ from that illustrated

1

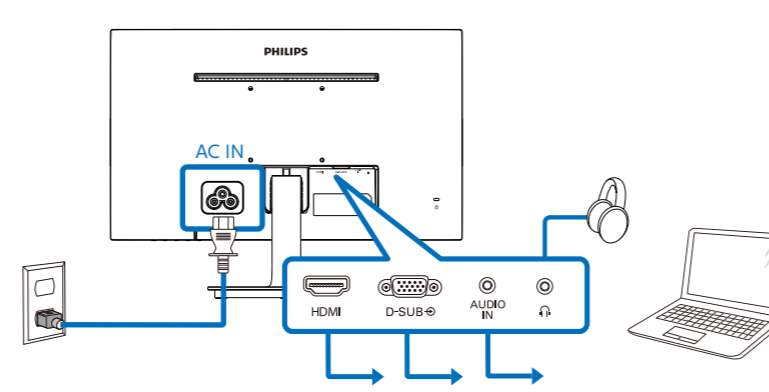


2

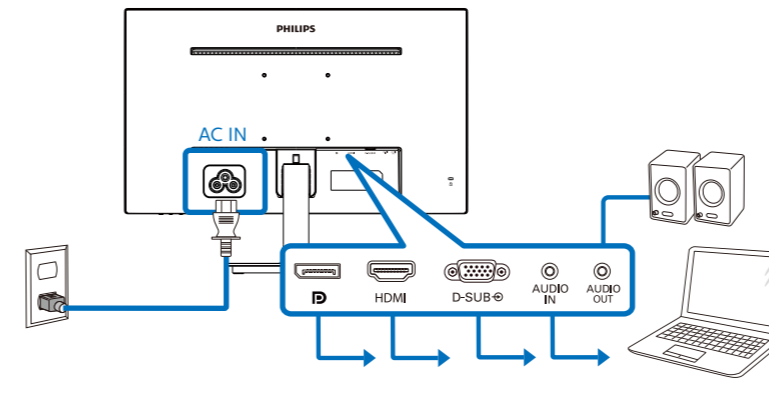
2218/221V8/221V8L/221V8LS/221V8LB/221V8LB3



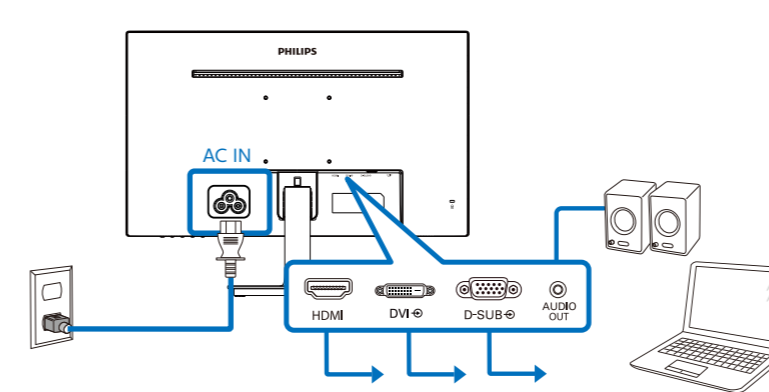
221V8A



222V8LA



221V8LD



3

